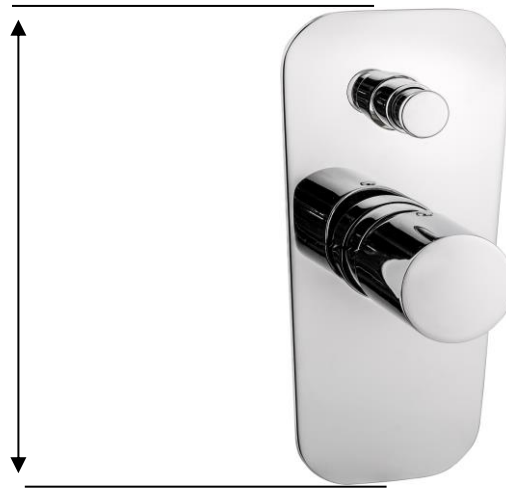
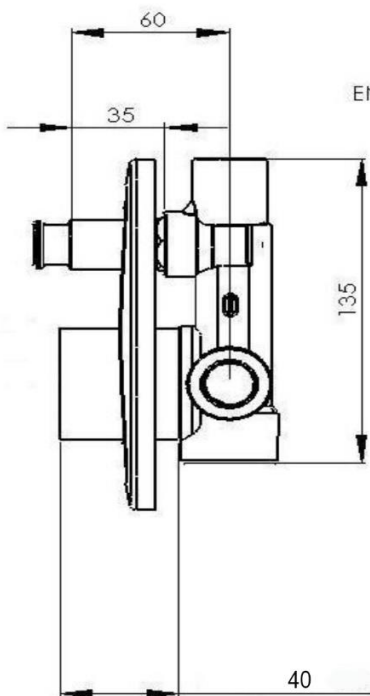


200

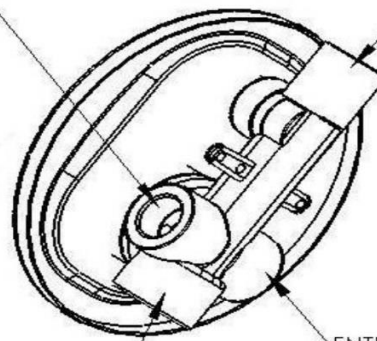


Cartridge mm 35



ENTRATA ACQUA FREDDA
COLD WATER INLET
G 1/2

USCITA DOCCIA
SHOWER OUTLET
G 1/2



ENTRATA ACQUA CALDA
HOT WATER INLET
G 1/2

USCITA VASCA
BATH OUTLET
G 3/4

MATERIALI MATERIALS

OTTONE CROMATO CHROME PLATED BRASS

CROMATURA / CHROME PLATING

UNI EN 248