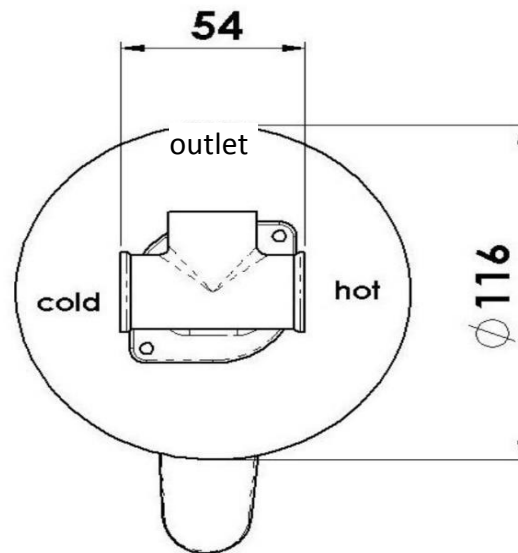
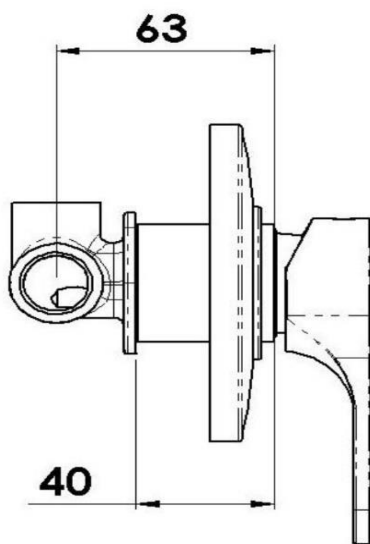




Cartridge mm 35



MATERIALI MATERIALS

OTTONE CROMATO CHROME PLATED BRASS

CROMATURA / CHROME PLATING

UNI EN 248